

# Technical Datasheet

## General Specifications

<b>Model</b>	Pulsar Plus
<b>Color</b>	Matte Black
<b>Cable length</b>	25 ft
<b>Charging protocol</b>	SAE J1772
<b>Dimensions</b>	7.8" x 7.9" x 3.9" (without cable)
<b>Weight</b>	4.4lbs (without cable)
<b>Operating temperature</b>	-22°F to 104°F
<b>Storage temperature</b>	-40°F to 158°F
<b>Electrical safety</b>	UL 2594, UL 2231
<b>EMC compliance</b>	FCC part 15 Class B, CAN ICES-003B / NMB-003B
<b>ENERGY STAR® Certification</b>	Yes

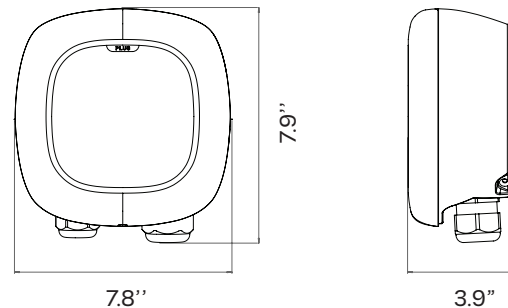
## User Interface & Communications

<b>Connectivity</b>	Wi-Fi, Bluetooth
<b>User identification</b>	Wallbox App & Portal
<b>User interface</b>	Wallbox App & Portal
<b>Charger status information</b>	Halo RGB LED, myWallbox App & Portal
<b>Included features</b>	Static Load Management
<b>OCPP</b>	1.6j

## Electrical Specifications

	40A Model	48A Model
<b>Charging power</b>	9.6 kW	11.5 kW
<b>Rated current</b>	40 A	48 A
<b>Connection type</b>	NEMA 14-50 or Hardwired	Hardwired
<b>Rated voltage AC ± 10%</b>	240/208 V (Level 2), 60 Hz	
<b>Connector type</b>	SAE J1772 Type 1	
<b>Configurable current</b>	from 6 A to rated current	
<b>Current fault protection</b>	Integrated CCID20 (Charge current interruption device at 20mA) + Ground monitoring circuit, according to UL 2231	
<b>Environmental rating</b>	Indoor and Outdoor Installations NEMA Type 4 per UL 50E	

## Dimensions



## Part Number Structure

A
B
C
E
D
F
G

**Wallbox Chargers S.L.**

SN: 123456 | UID: abcdefgh | 08/2020 | Made in Spain

PN: PUP1-U-1-5-N-00-2  
22°F to 104°F (-30°C to 40°C)

Enclosure Type 3R  
Input/Output:  
208/240VAC, 60Hz, 48A

	Code	Definition
<b>A</b>	Model	PUP1/PUP2 Pulsar Plus North America
<b>B</b>	Cable	U 25 ft
<b>C</b>	EVC	1 Type 1
<b>D</b>	Power	5 9.6 kW 6 11.5 kW
<b>E</b>	Version	C Hardwired N NEMA 14-50P
<b>F</b>	Custom	00 Matte Black
<b>G</b>	Color	2 Black