

# Pulsar Pro

## Technical Datasheet

### General Specifications

Product	Pulsar Pro
Model	PUP3
Color	Matte Black
Cable length	18ft / 25ft
Cable EVC Connector	SAE J1772
Dimensions	7.8" x 7.9" x 3.9" (w/o cable)
Weight	4.4 lbs without cable
Operating temperature	-22°F to 104°F
Storage temperature	-40°F to 158°F
Environmental rating	Indoor & Outdoor: NEMA Type 4 per UL 50E
Mounting	Backplate included

### Electrical Specifications

Charging power (rated current)	9.6 kW (40A) / 11.5 kW (48A)
Rated Voltage (AC± 10%)	208/240V (Level 2) 60Hz
Configurable current	Hardware current selector : 16A to rated current Software configuration: 6A to rated current EMS dynamically adjusted - optional
Wiring options	Hardwired NEMA 14-50 (Only 40A model)

### Energy Management

Current adjustment	HW Current selector / Software / EMS
Dynamic Load Balancing	Power Boost / Power Sharing / Dynamic Power Sharing <sup>[1]</sup>
Solar integration	Eco-Smart supported <sup>[2]</sup>
Schedule planning	Yes

[1] May require an energy meter

[2] Eco-Smart and Power Sharing are not compatible

The information in this Datasheet is susceptible to changes.

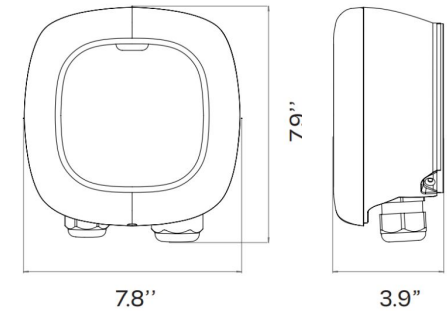
### User Interface & Communications

Connectivity	Bluetooth / Wi-Fi
Interface	myWallbox app and Portal
HMI	LED Halo RGB
ISO-15118	Supported by hardware
User Control	Play / Pause / Lock / 24/7 Schedules
Permission management	User / Admin / Super Admin
Authentication	RFID - myWallbox app
Ocpp	1.6j

### Regulation and Safety

Electrical safety	UL Certification (NRTL) UL 2594 - UL 2231
EMC	FCC part 15 Class B, CAN ICES-003B / NMB-003B
Current fault safety	Integrated CCID20 (Charge current interruption device 20mA) + Ground monitoring, according to UL 2231
Energy Star® certification	Yes

### Dimensions



### Part number structure

A	Model	PUP3	Pulsar Pro
B	Cable	U	25ft
		0	18ft
C	EVC	1	Type 1
D	Power	5	9.6 kW
		6	11.5 kW
E	Version	C	Hardwired
		N	NEMA 14-50P
F	Custom	XX	Custom
G	Color	2	Black