

# Pulsar Plus Socket

## Technical Datasheet

### General Specifications

Model	Pulsar Plus Socket
Colour	Black
Charging mode	Mode 3 (IEC 61851-1)
Connector type	Type 2 shutter <sup>1</sup> (IEC 62196-2)
Dimensions	204.3x313x142.5 mm
Weight	2.5Kg
Operating Temperature	-30°C to 40°C (50°C with derating)
Storage Temperature	-40°C to 70°C
Standards	2014/53/EU (RED) 2011/65/EU (RoHS)

### Electrical Specifications

Charging Power	<b>7,4kW<sup>2</sup></b>	<b>11kW<sup>3</sup></b>	<b>22kW</b>
Rated Voltage AC ± 10%	230V	380-400V	380-400V
Rated Current	32 A (1P)	16A (3P)	32A (3P)
Cable Width	up to 10 mm <sup>2</sup>		
Configurable Current	from 6A to rated current		
Rated Frequency	50Hz / 60Hz		
Protection Rating	IP55 / IK10		
Surge Category	CAT III		
Residual Current Detection	AC 30 mA / DC 6 mA <sup>4</sup>		
RCCB	External RCCB required <sup>5</sup>		

### Part Number Structure

A B D F     C E

**Wall Box Chargers S.L.U.**     Made in Spain

Paseo Castellana 95-PLT 28, 28046 Madrid, Spain     2023-12

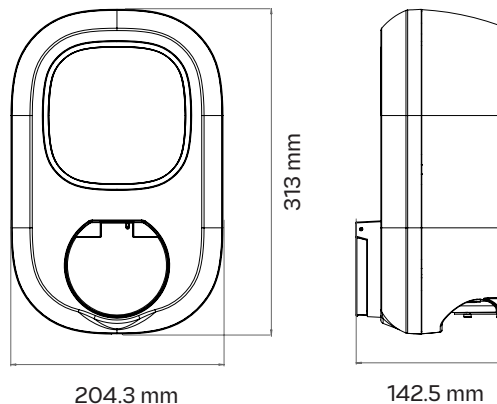
**SN:** 1234567     **UID:** ABCDEFGH

PN: PSP1-W-2-X-9-XX2     REV X     Pulsar Plus Socket  
 Input/Output: 230/400VAC, 50/60Hz, 32A, XP+N+PE  
 Outdoor use IP55, IK10  
 IEC 61439-7  
 -30°C to 40°C

### User Interface, Connectivity & Energy Management

Connectivity	Wi-Fi, Bluetooth
User Identification	myWallbox App & Portal
Free User Interface	myWallbox App & Portal
External communication	OCPP 1.6j, Partner API
Charger Status Information	Halo RGB LED, myWallbox App & Portal
Included Features	Schedules, Statistics, Lock/Unlock/Autolock, Charger remote control, Automated Payments, Power Sharing, Charging cable lock
Optional Features	Power Boost, Dynamic Power Sharing, Eco-Smart, External MID

### Dimensions



	Code	Definition
<b>A</b> Model	PSP1	Pulsar Plus Socket
<b>B</b> Cable	W	Socket with shutter
<b>C</b> Connector	2	Type 2
<b>D</b> Power	4	22kW
<b>E</b> Additional Feature	9	Residual Current Detection (AC 30 mA / DC 6 mA)
<b>F</b> Custom	XX2	Black

<sup>1</sup> Compliant with NF C 15-100.

<sup>2</sup> Pulsar Plus Socket (22kW) can be installed in a single phase installation (see installation guide).

<sup>3</sup> Pulsar Plus Socket (22kW) charger limited to 11kW during installation.

<sup>4</sup> Internal RDC-DD meets tripping time characteristics according to IEC 62955.

<sup>5</sup> Type A or Type B according to local regulations.