

# PULSAR PLUS NORTH AMERICA

## Technical Datasheet

### General Specifications

<b>Model</b>	Pulsar Plus
<b>Color</b>	Matte Black
<b>Cable length</b>	25ft
<b>Charging protocol</b>	SAE J1772
<b>Dimensions</b>	7.8" x 7.9" x 3.9" (without cable)
<b>Weight</b>	4.4lbs (without cable)
<b>Operating temperature</b>	-22°F to 104°F
<b>Storage temperature</b>	-40°F to 158°F
<b>Electrical safety</b>	UL 2594, UL 2231
<b>EMC compliance</b>	FCC part 15 Class B, CAN ICES-003B / NMB-003B

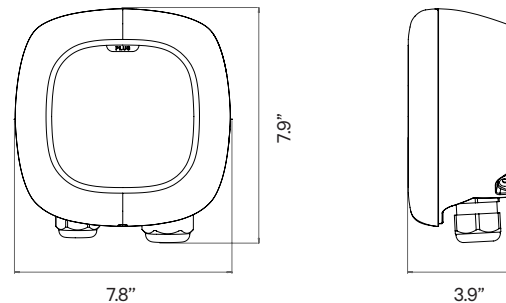
### User Interface & Communications

<b>Connectivity</b>	Wi-Fi, Bluetooth
<b>User identification</b>	myWallbox App & Portal
<b>User interface</b>	myWallbox App & Portal
<b>Charger status information</b>	Halo RGB LED, myWallbox App & Portal
<b>Included features</b>	Power Boost, Eco-Smart, Power Sharing
<b>Voice control</b>	Works with Amazon Alexa and Google Home

### Electrical Specifications

	40A Model	48A Model
<b>Charging power</b>	9.6kW	11.5kW
<b>Rated current</b>	40A	48A
<b>Connection type</b>	NEMA 14-50 or Hardwired	Hardwired
<b>Rated voltage AC ± 10%</b>	240/208 V (Level 2), 60Hz	
<b>Connector type</b>	SEA J1772 Type 1	
<b>Configurable current</b>	from 6A to rated current	
<b>Environmental rating</b>	Indoor and Outdoor Installations NEMA Type 4 per UL 50E	

### Dimensions



### Part Number Structure

**A** **B** **C** **E**  
**D** **F** **G**

**Wallbox Chargers S.L.**

SN: 123456 | UID: abcdefgh | 08/2020 | Made in Spain

**PN: PUP1-U-1-5-N-002-X**

22°F to 104°F (-30°C to 40°C)

Enclosure Type 3R

Input/Output:  
208/240VAC, 60Hz, 48A

	Code	Definition
<b>A</b> Model	PUP1	Pulsar Plus North America
<b>B</b> Cable	U	25ft
<b>C</b> EVC	1	Type 1
<b>D</b> Power	5 6	9.6kW 11.5kW
<b>E</b> Version	0 N C G	Hardwired Plug-In Version Hardwired + OCPP NEMA 14-50P + OCPP
<b>F</b> Custom	002	Matte Black
<b>G</b> Revision	X	Revision X