

COPPER SB

Technical Datasheet

General Specifications

Model	Copper SB
Colour	Black
Charging Mode (IEC 61851-1)	Mode 3
Dimensions	260x192x113 mm
Weight	2 kg
Operating Temperature	-25 °C to 40 °C
Storage Temperature	-40 °C to 70 °C
Standards	CE mark (LVD 2014/35/EU, EMCD 2014/30/EU) IEC 61851-1, IEC 61851-22, IEC 62196-2

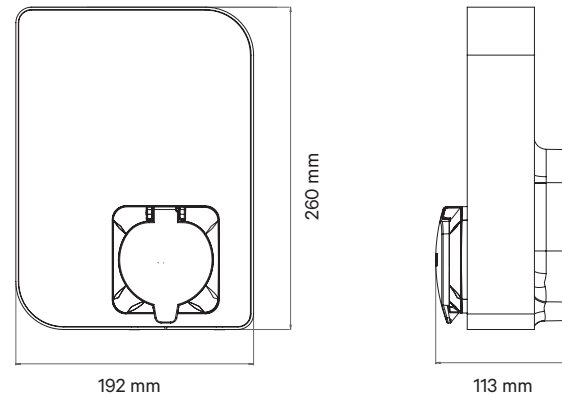
User Interface & Communications

Connectivity	Wi-Fi, Ethernet, Bluetooth
User Identification	RFID, myWallbox App & Portal
User Interface	myWallbox App & Portal ^[3]
Charger Status Information	RGB LED, myWallbox App & Portal
Included Features	Power Sharing Smart
Optional Features	3G/4G Connectivity, Power Boost

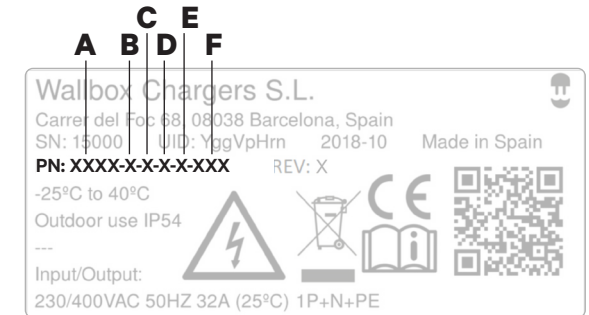
Electrical Specifications

Charging Power	11 kW	22 kW
Rated Voltage AC ± 10%	400 V	400 V
Rated Current	16 A (3P)	32 A (3P)
Connector Type (IEC 62196-2)	Type 2 Socket (shutter optional)	
Cable Width	up to 5x 10 mm ²	
Configurable Current	from 6 A to rated current	
Rated Frequency	50 Hz / 60 Hz	
Protection Rating	IP54 / IK08	
Surge Category	CAT III	
Residual Current Detection	DC 6 mA ^[1]	
RCCB	External RCCB required ^[2]	

Dimensions



Part Number Structure



	Code	Definition
A Model	CPB1	Copper SB
B Cable	S	Socket
	W	Socket with shutter
C Connector	2	Type 2
D Power	3	11 kW
	4	22 kW
E Additional Feature	8	RFID + DC Leakage
F Custom	XX2	Black

[1] Internal RDC-DD meets tripping time characteristics according to IEC 62955.
[2] Type A or Type B according to local regulations.
[3] OCPP compatible.